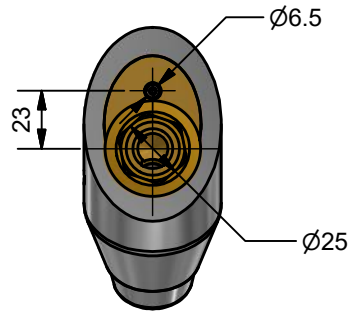


RECOMMENDED HOLE DETAILS

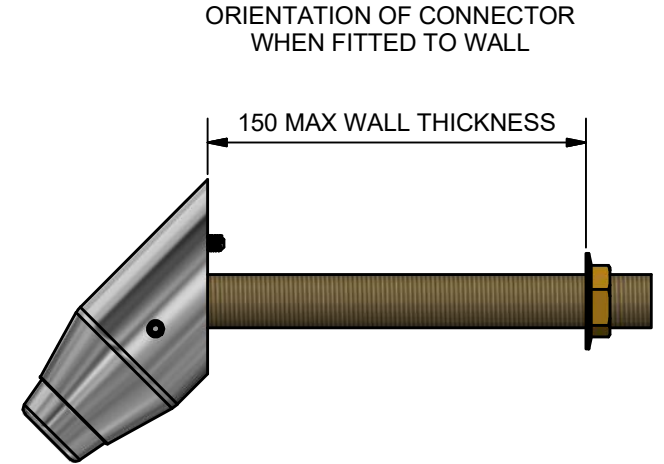
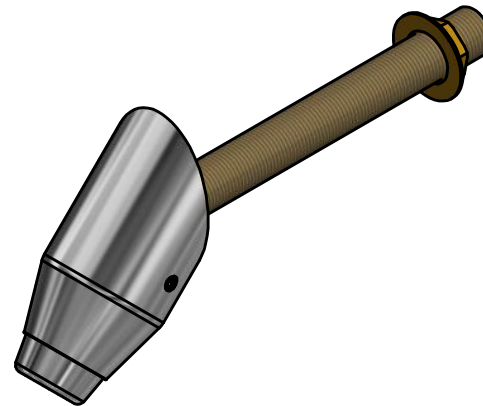
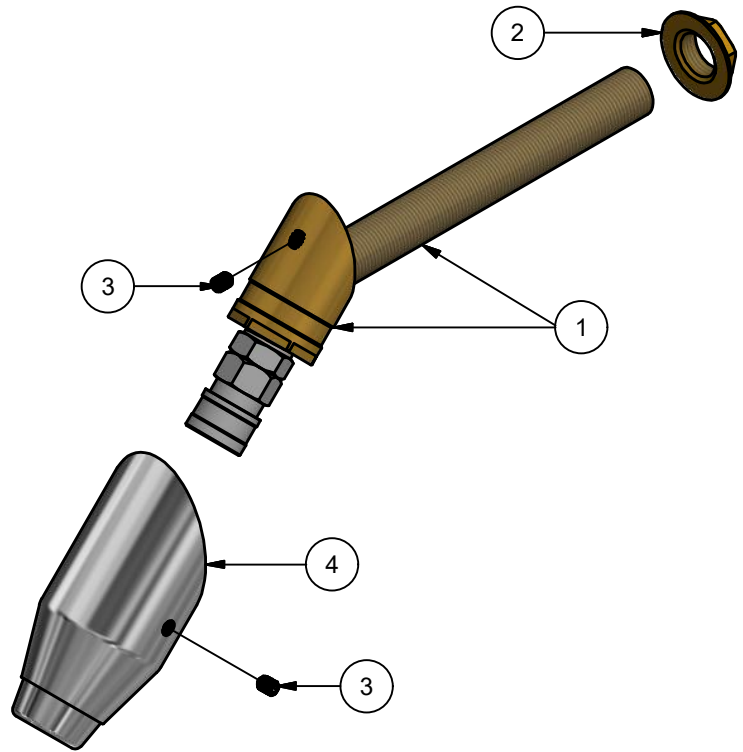


SHWR-CON-01 PARTS LIST		
ITEM	DESCRIPTION	QTY
1	BRASS BODY & WATER TUBE	1
2	BACKNUT	1
3	GRUB SCREW	2
4	CHROME COVER	1

REVISION HISTORY				
REV	DATE	DESCRIPTION	BY	CHKD
1	30/01/2017	CREATED	PH	DB

SHWR-CON-01 INSTALLATION DETAILS:

1. PREPARE THE WALL HOLES TO THE DIMENSIONS SHOWN.
 2. PASS THE WATER TUBE (ITEM 1) THROUGH THE $\varnothing 25\text{mm}$ WALL HOLE AND THEN SCREW THE BACKNUT (ITEM 3) ONTO THE WATER TUBE AND HAND TIGHTEN ONLY.
 3. FIT A GRUB SCREW (ITEM 3) INTO THE HOLE IN THE BRASS CONNECTION BODY AND SCREW THROUGH UNTIL IT ENGAGES IN THE $\varnothing 6.5\text{mm}$ WALL HOLE. THIS ACTS AS AN ANTI-ROTATION PIN.
 4. FULLY TIGHTEN THE BACKNUT (ITEM 2) TO 17Nm
 5. FIT THE CHROME COVER (ITEM 4) OVER THE BRASS BODY UNTIL IT RESTS FLAT AGAINST THE WALL.
 6. FIT A GRUB SCREW (ITEM 3) INTO THE HOLE ON THE SIDE OF THE CHROME COVER AND TIGHTEN TO LOCK THE COVER IN PLACE.
 7. CONNECT THE SHOWER WATER SUPPLY TO THE $\frac{1}{2}$ " BSP WATER TUBE (ITEM 1)
- NOTE: THE WATER SUPPLY MUST BE FLUSHED TO REMOVE ANY DEBRIS PRIOR TO CONNECTION TO THE WATER TUBE.**
8. SEE SHEET 2 FOR ASSEMBLY DETAILS OF THE SHOWER HOSE.



© 2016 Copyright THIS DRAWING IS THE PROPERTY OF WALLGATE LIMITED AND IS ISSUED ON THE STRICT UNDERSTANDING THAT THE INFORMATION CONTAINED WILL NOT BE REPRODUCED, COPIED OR USED WITHOUT PRIOR AGREEMENT OF WALLGATE LTD.



TITLE: SHOWER HOSE ASSEMBLY DETAILS

Drg No: SHWR-HOSE-CON-01-INS-KIT

Model/Client/Project: SHEET 1 OF 2

MATERIAL:

FINISH:

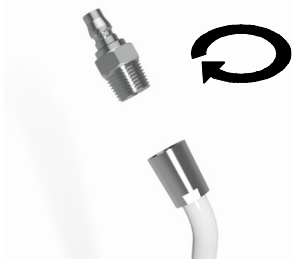
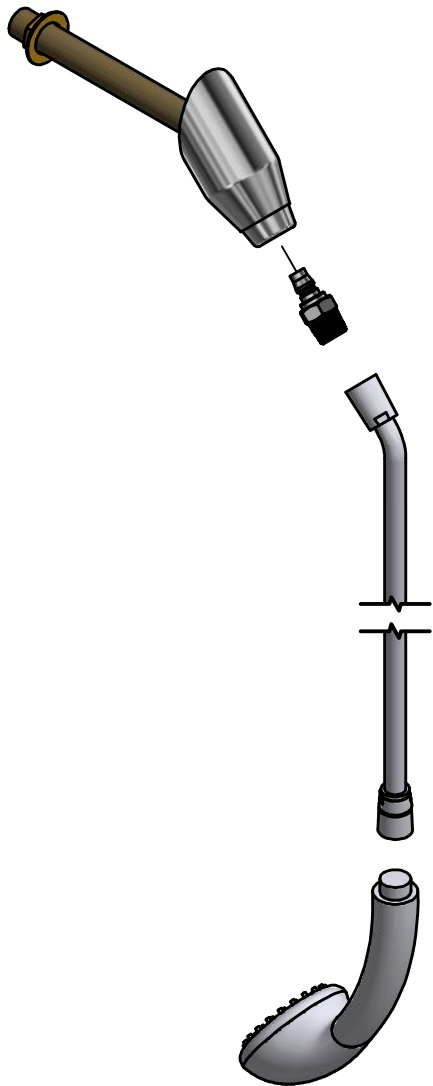
Limits: (unless stated)
 ± 0.25mm (sheetmetal)
 ± 0.10mm (machined)
 ± 2.00mm (pattern)
 ± 5.00mm (moulded)

All dimensions in mm,
 All angles 90° (unless stated)

Scale: NTS

A4 3rd

SHWR-CON-01 HOSE CONNECTOR MOUNTED TO WALL



STEP 1
Screw hose connector onto shower hose.

REVISION HISTORY				
REV	DATE	DESCRIPTION	BY	CHKD
1	30/01/2017	CREATED	PH	DB

ASSEMBLY DETAILS:

1. WITH THE HOSE CONNECTOR MOUNTED ON THE WALL THE SHOWER HOSE CAN BE ATTACHED AND DETACHED BY PRESSING THE RELEASE RING, AS SHOWN IN STEPS 1 TO 5.



STEP 2
Push in the ring on the mounted connector.



STEP 3
Push in the hose and release the ring.



STEP 5
To release then hose, push the ring in and the hose will come out.



STEP 4
The ring will "pop" out once the hose has been pushed fully home into the mounted connector. The shower is now ready to use



© 2016 Copyright THIS DRAWING IS THE PROPERTY OF WALLGATE LIMITED AND IS ISSUED ON THE STRICT UNDERSTANDING THAT THE INFORMATION CONTAINED WILL NOT BE REPRODUCED, COPIED OR USED WITHOUT PRIOR AGREEMENT OF WALLGATE LTD.



TITLE: SHOWER HOSE ASSEMBLY DETAILS

Drg No: SHWR-HOSE-CON-01-INS-KIT

Model/Client/Project: SHEET 2 OF 2

MATERIAL:

FINISH:

Limits: (unless stated)
± 0.25mm (sheetmetal)
± 0.10mm (machined)
± 2.00mm (pattern)
± 5.00mm (moulded)

All dimensions in mm, All angles 90° (unless stated)

Scale: NTS

A4 3rd